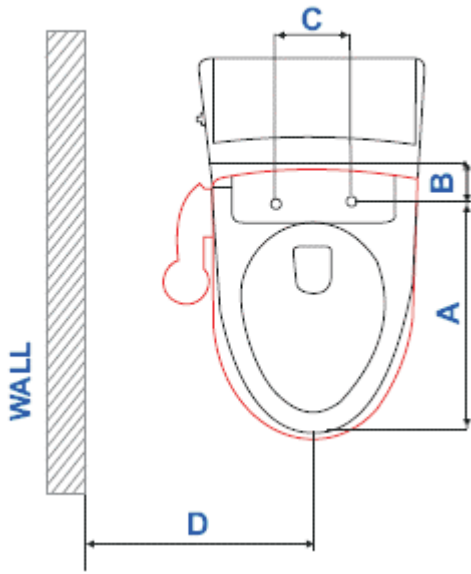




when nature calls . . . Relax!

Dimensions Guide

Elongated Toilet Bowl

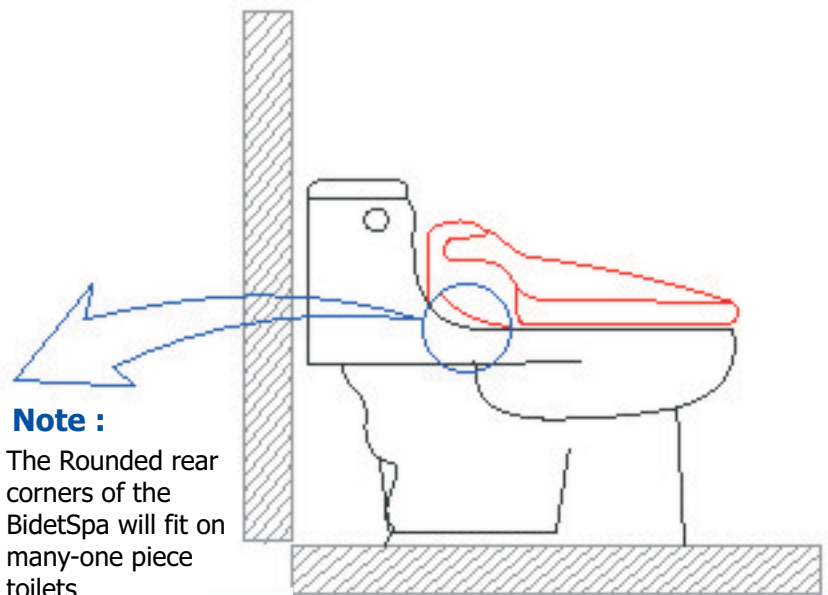


Although we've done our best to engineer the BidetSpa to fit as many toilets as possible, it unfortunately does not fit all toilets. The BidetSpa will fit all 2 piece and most 1 piece toilets. The BidetSpa will not fit the Kohler brand San Raphael or Rialto low-profile 1 piece toilets.

The diagrams on this page are a helpful guide to determine if your toilet bowl is round or elongated and if the through holes on your toilet bowl are the proper distance apart. Also, please note below the electrical supply diagram and a convenient installation link.

Dimensions (Elongated)

- A. 17-3/4" to 19-5/8"
450mm-500mm
- B. 13/16" min.
20mm min.
- C. 5-1/2" to 7-1/2" & 10"
139mm to 190mm & 254mm
- D. 11-7/8" min.
300mm min.



Note :

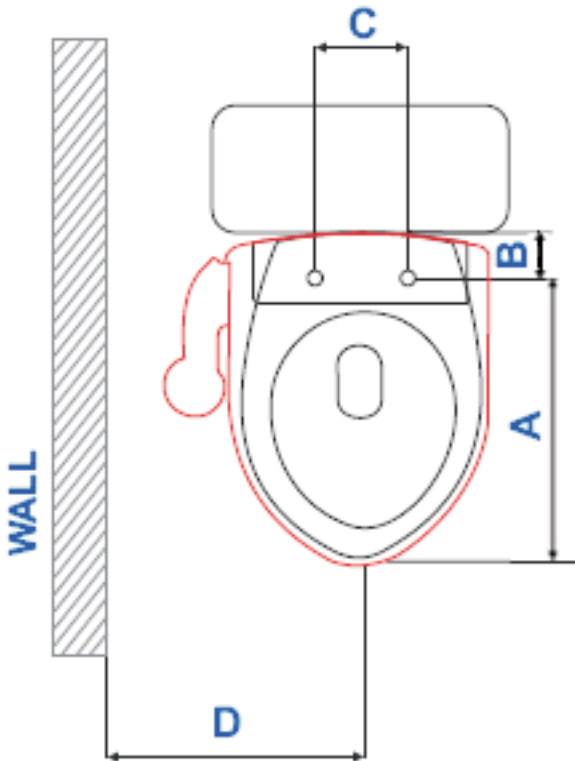
The Rounded rear corners of the BidetSpa will fit on many one-piece toilets



when nature calls . . . Relax!

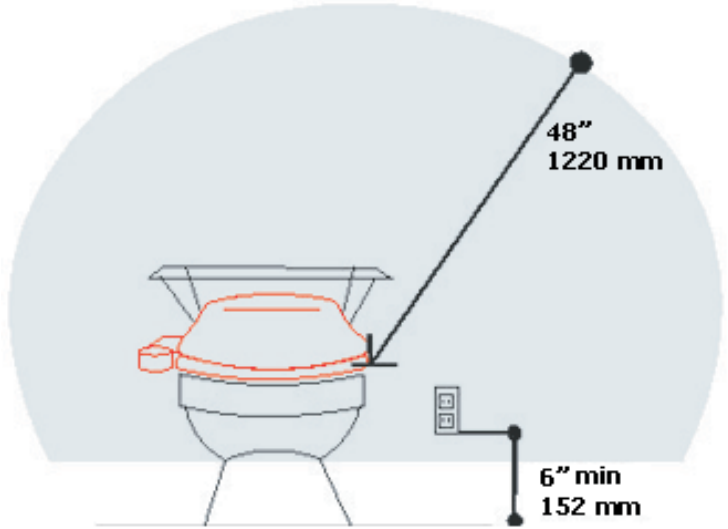
Dimensions Guide

Round Toilet Bowl



Dimensions: (Round)

- A. 16-1/2" to 18-1/2"
420mm-470mm
- B. 13/16" min.
20mm min.
- C. 5-1/2" to 7-1/2" & 10"
139mm to 190mm & 254mm
- D. 11-7/8" min.
300mm min.



Recommended Electrical Outlet Detail

The GFCI (Ground Fault Circular Interrupter) receptacle should be located within the shaded area as shown above or according to local code.